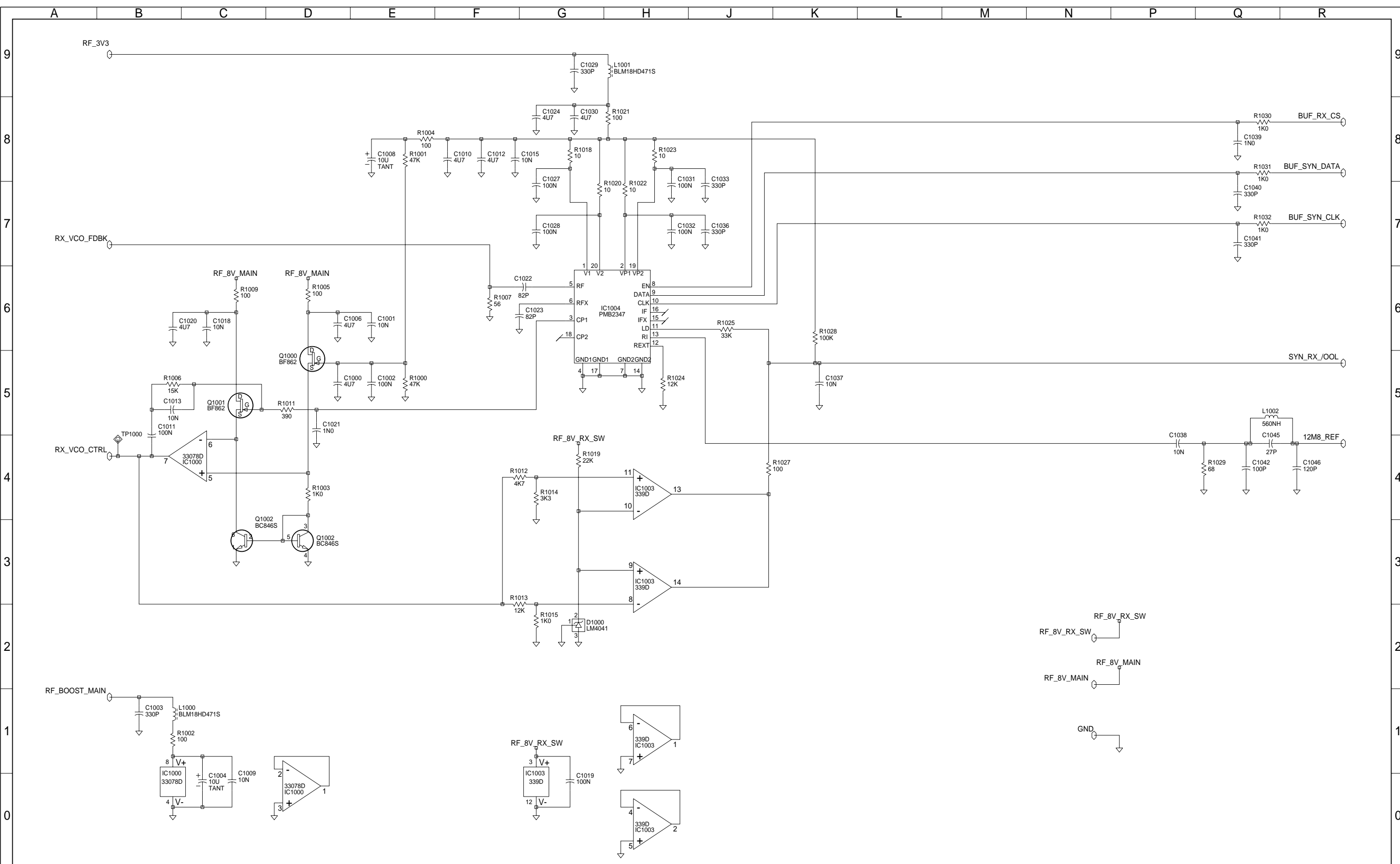


06A	ECO	101200068	CJK	SH			13/05/03
05A	DCO	02025-005	CJK	SH			06/03/03
04A	DCO	02025-004	CJK	SH			28/11/02
03A	DCO	02025-002 & 003	CJK	SH			17/10/02
02A	DCO	02025-001	CJK	SH			30/08/02
01B	SCHEMATICS	REDRAWN	PAUL G				20/06/02
01A	CLONED	FROM 226-00252-01	PAUL G				12/06/02
REV/ISS	AMENDMENTS		DRAWN	CHKD	D.O.	APVD	DATE



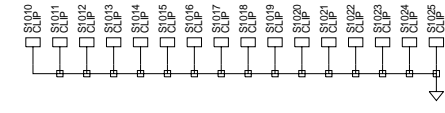
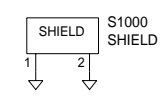
© TAIT ELECTRONICS				
TB8000 RECITER TOP LEVEL				
IPN:	ISSUE:	FILE NAME:	FILE DATE:	ID:
220-02025-06	A	2.SC. 1	13-May-03	15
PROJECT:	DESIGNER:	FILE NAME:	FILE DATE:	NO. SHEETS:
TB8000	SH	0202506a	13-May-03	15

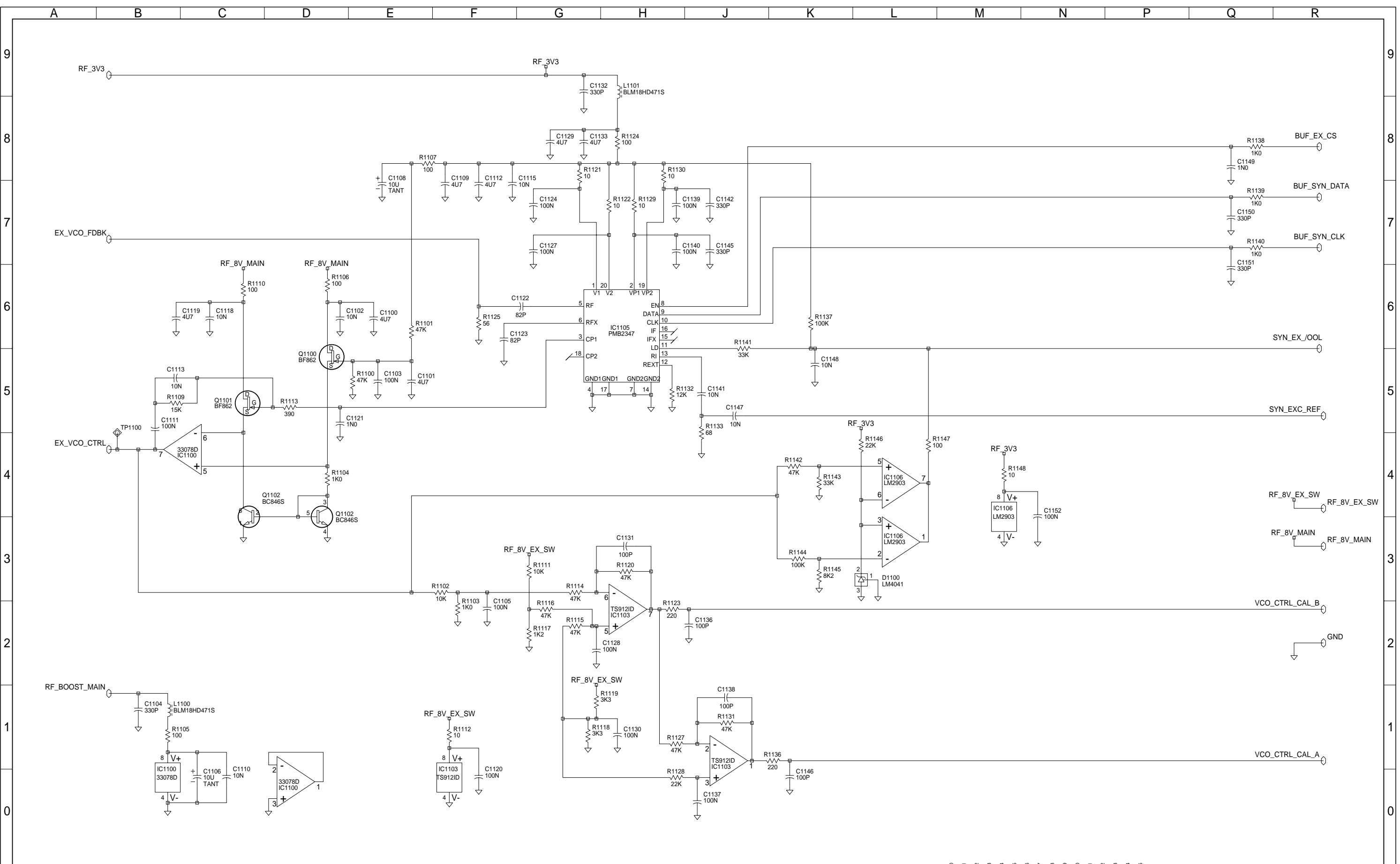


06A	ECO	101200068	CJK	SH		13/05/03
05A	DCO	02025-005	CJK	SH		06/03/03
04A	DCO	02025-004	CJK	SH		28/11/02
03A	DCO	02025-002 & 003	CJK	SH		17/10/02
02A	DCO	02025-001	CJK	SH		30/08/02
01B	SCHEMATICS	REDRAWN	PAUL G			20/06/02
01A	CLONED FROM	226-00252-01	PAUL G			12/06/02
REV/ISS	AMENDMENTS		DRAWN	CHKD	D.O.	APVD DATE

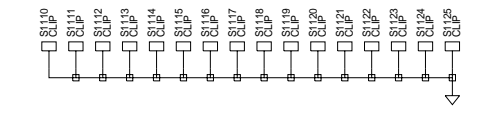
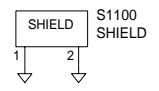
© TAIT ELECTRONICS
 TB8000
 RECEIVER SYNTH

IPN: 220-02025-06 ISSUE: A ID: 2.SC. 10
 PROJECT: TB8000 DESIGNER: SH FILE NAME: 0202506a FILE DATE: 13-May-03 NO.SHEETS: 15



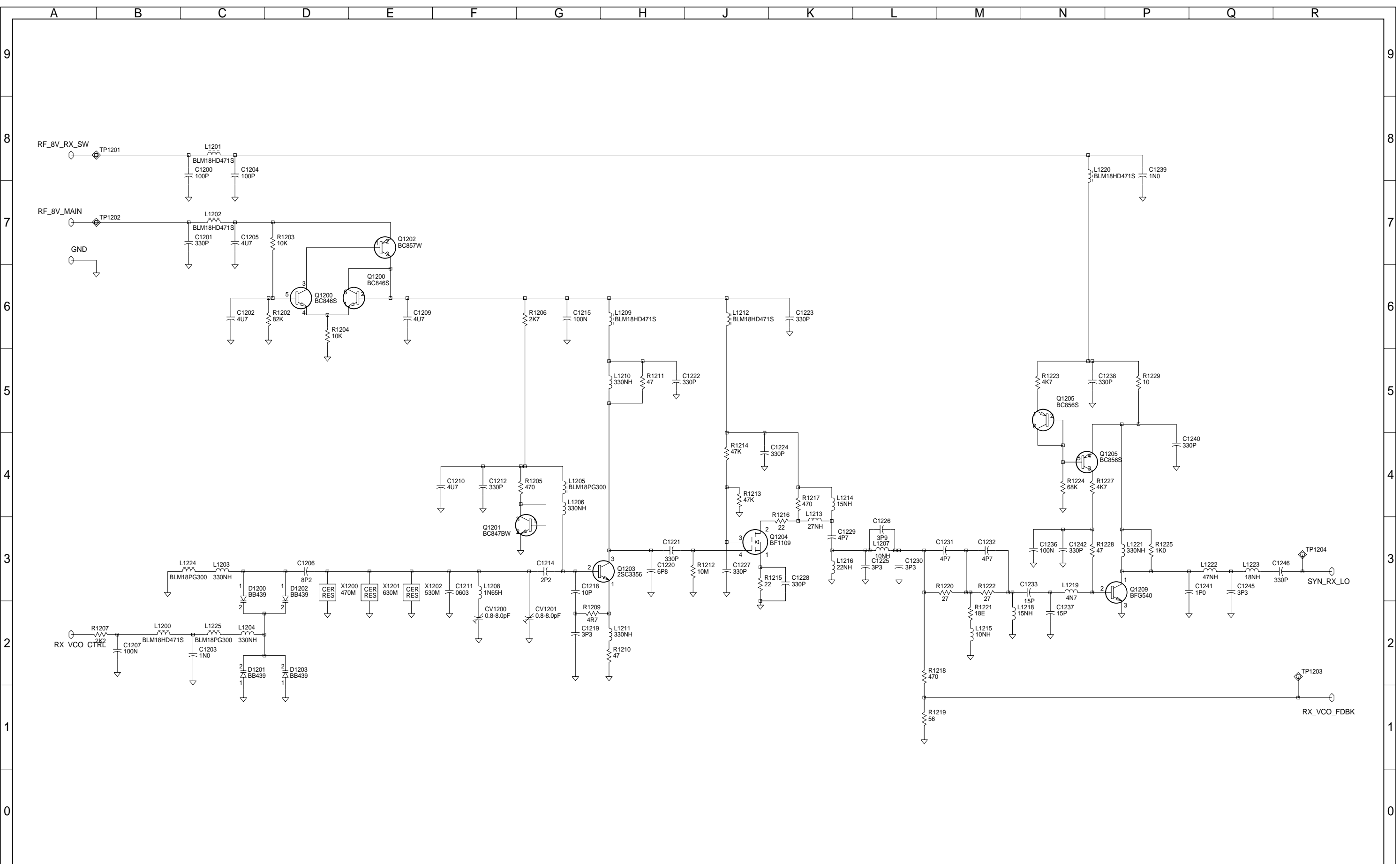


06A	ECO	101200068	CJK	SH		13/05/03
05A	DCO	02025-005	CJK	SH		06/03/03
04A	DCO	02025-004	CJK	SH		28/11/02
03A	DCO	02025-002 & 003	CJK	SH		17/10/02
02A	DCO	02025-001	CJK	SH		30/08/02
01B	SCHEMATICS REDRAWN		PAUL G			20/06/02
01A	CLONED FROM 226-00252-01		PAUL G			12/06/02
REV/ISS	AMENDMENTS		DRAWN	CHKD	D.O.	APVD DATE

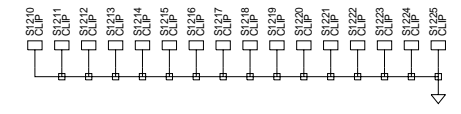
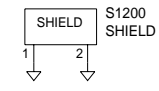


© TAIT ELECTRONICS
TB8000
EXCITER SYNTH

IPN: 220-02025-06 ISSUE: A 2.S.C. 11 ID:
 PROJECT: TB8000 DESIGNER: SH FILE NAME: 0202506a FILE DATE: 13-May-03 NO.SHEETS: 15



06A	ECO	101200068	CJK	SH		13/05/03
05A	DCO	02025-005	CJK	SH		06/03/03
04A	DCO	02025-004	CJK	SH		28/11/02
03A	DCO	02025-002 & 003	CJK	SH		17/10/02
02A	DCO	02025-001	CJK	SH		30/08/02
01B	SCHEMATICS	REDRAWN	PAUL G			20/06/02
01A	CLONED	FROM 226-00252-01	PAUL G			12/06/02
REV/ISS	AMENDMENTS		DRAWN	CHKD	D.O.	APVD DATE

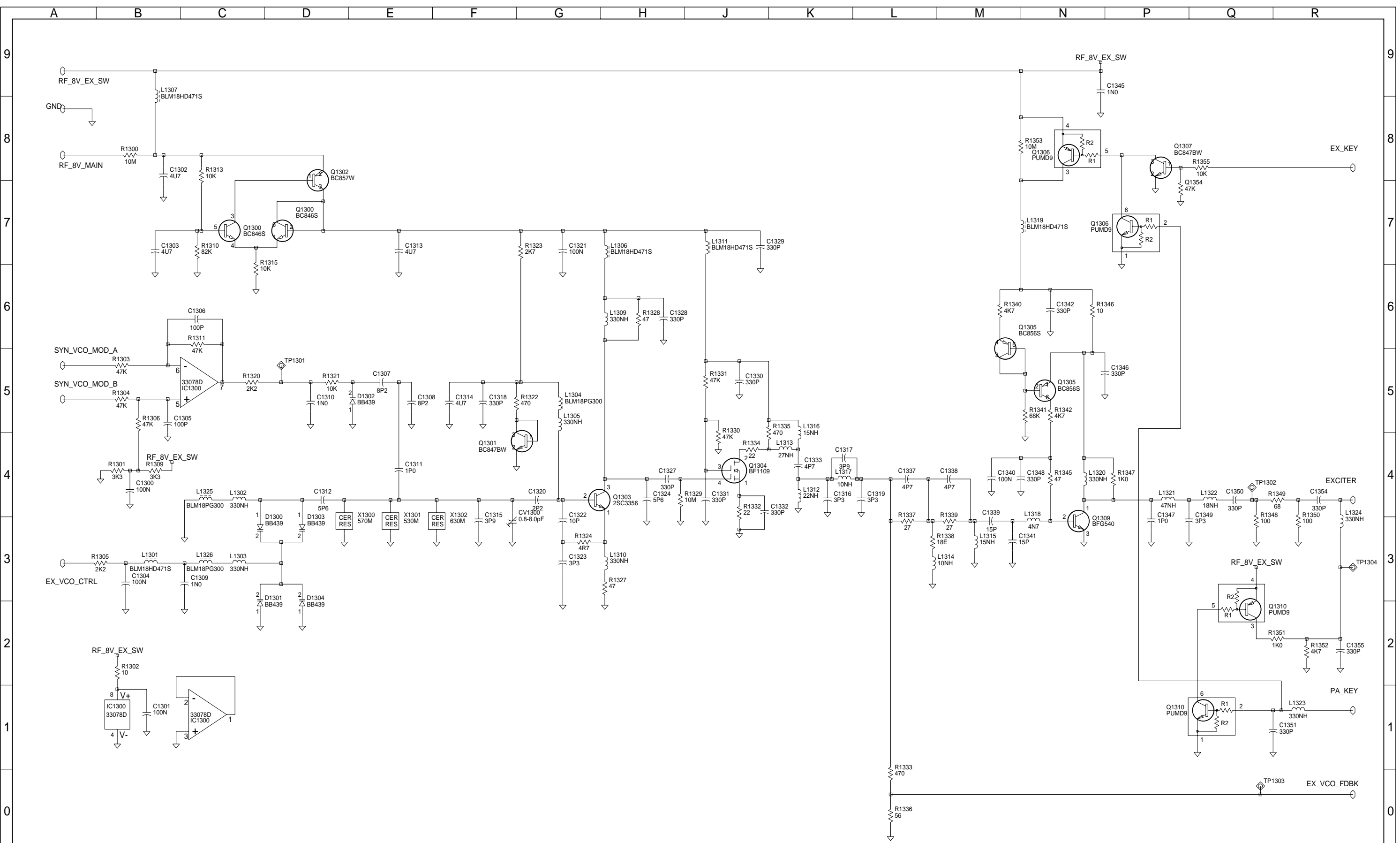


© TAIT ELECTRONICS

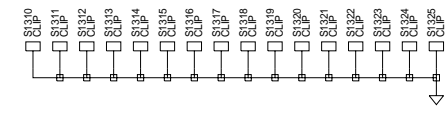
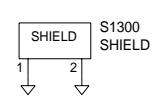
TB8000
RECEIVER VCO

IPN: 220-02025-06 ISSUE: A ID: 2.S.C. 12

PROJECT: TB8000 DESIGNER: SH FILE NAME: 0202506a FILE DATE: 13-May-03 NO. SHEETS: 15



06A	ECO	101200068	CJK	SH		13/05/03
05A	DCO	02025-005	CJK	SH		06/03/03
04A	DCO	02025-004	CJK	SH		28/11/02
03A	DCO	02025-002 & 003	CJK	SH		17/10/02
02A	DCO	02025-001	CJK	SH		30/08/02
01B	SCHEMATICS	REDRAWN	PAUL G			20/6/02
01A	CLONED FROM	226-00252-01	PAUL G			12/06/02
REV/ISS	AMENDMENTS		DRAWN	CHKD	D.O.	APVD DATE

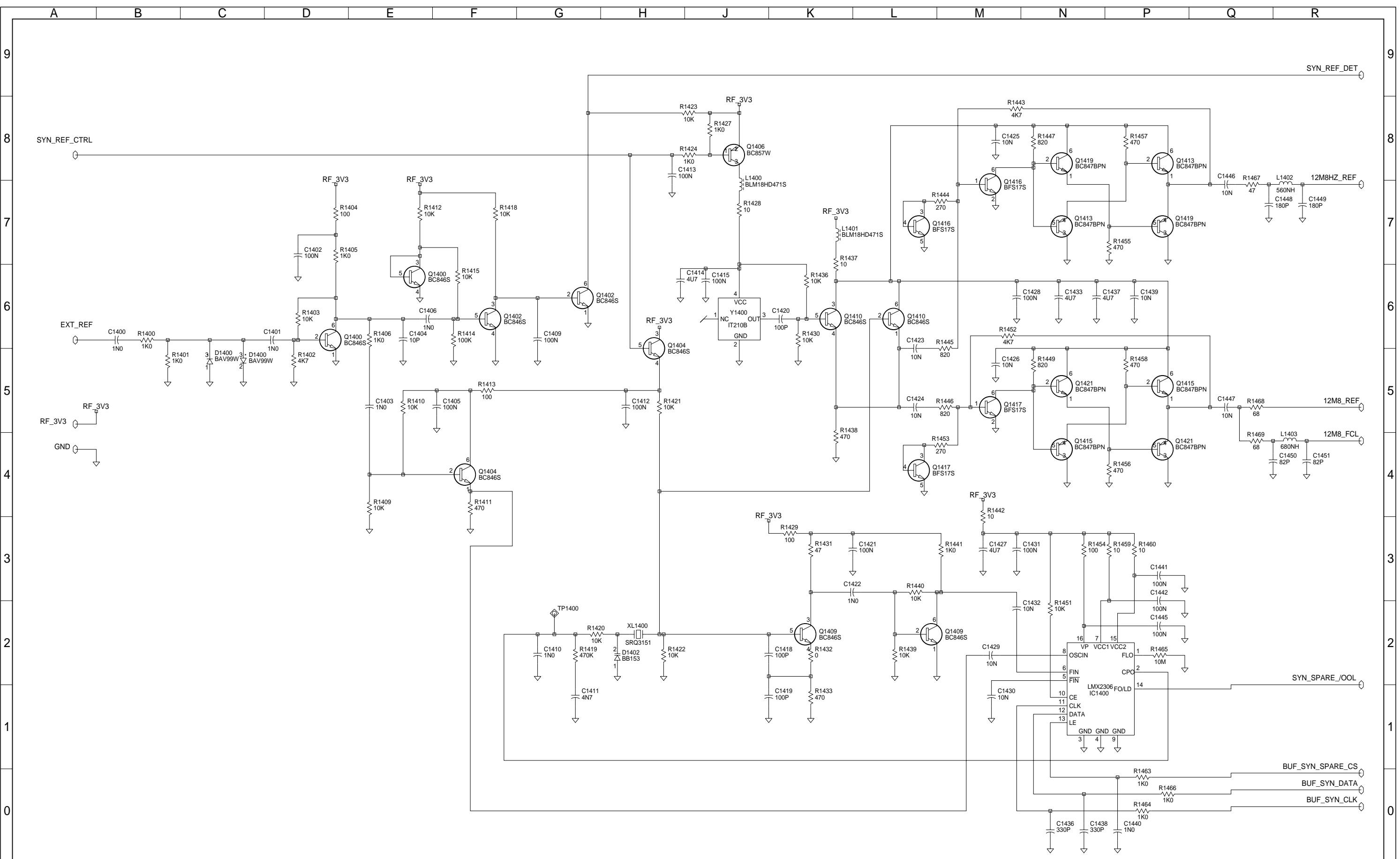


© TAIT ELECTRONICS

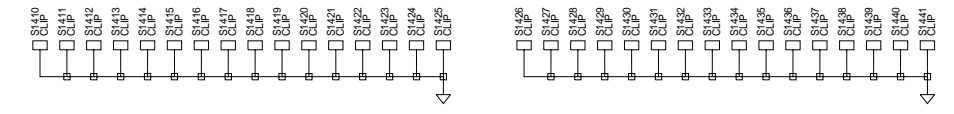
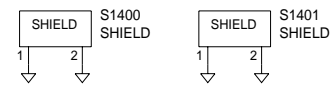
TB8000
EXCITER VCO

IPN: 220-02025-06 ISSUE: A ID: 2.S.C. 13

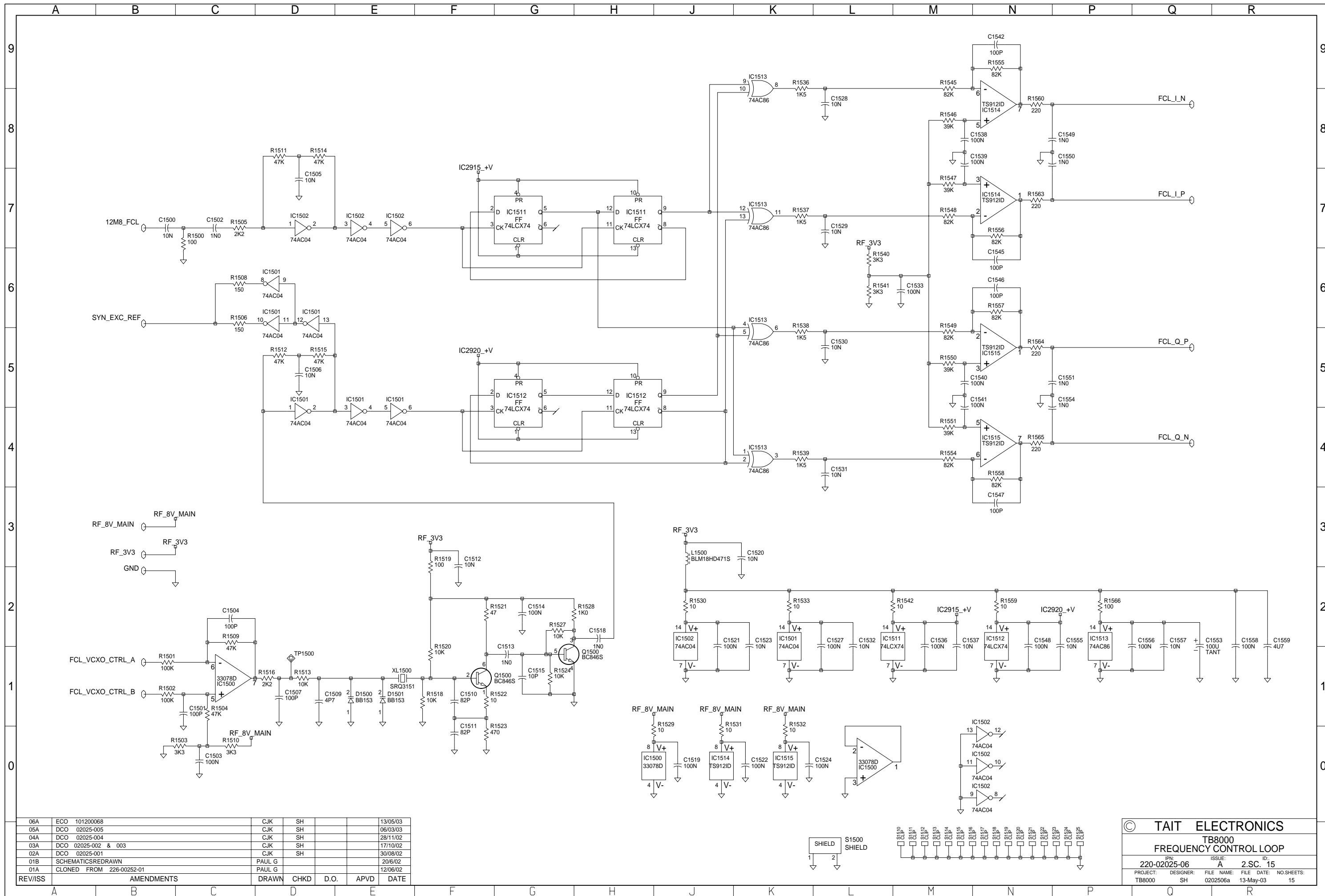
PROJECT: TB8000 DESIGNER: SH FILE NAME: 0202506a FILE DATE: 13-May-03 NO. SHEETS: 15



06A	ECO	101200068	CJK	SH		13/05/03
05A	DCO	02025-005	CJK	SH		06/03/03
04A	DCO	02025-004	CJK	SH		28/11/02
03A	DCO	02025-002 & 003	CJK	SH		17/10/02
02A	DCO	02025-001	CJK	SH		30/08/02
01B	SCHEMATICS	REDRAWN	PAUL G			20/06/02
01A	CLONED FROM	226-00252-01	PAUL G			12/06/02
REV/ISS	AMENDMENTS		DRAWN	CHKD	D.O.	APVD DATE

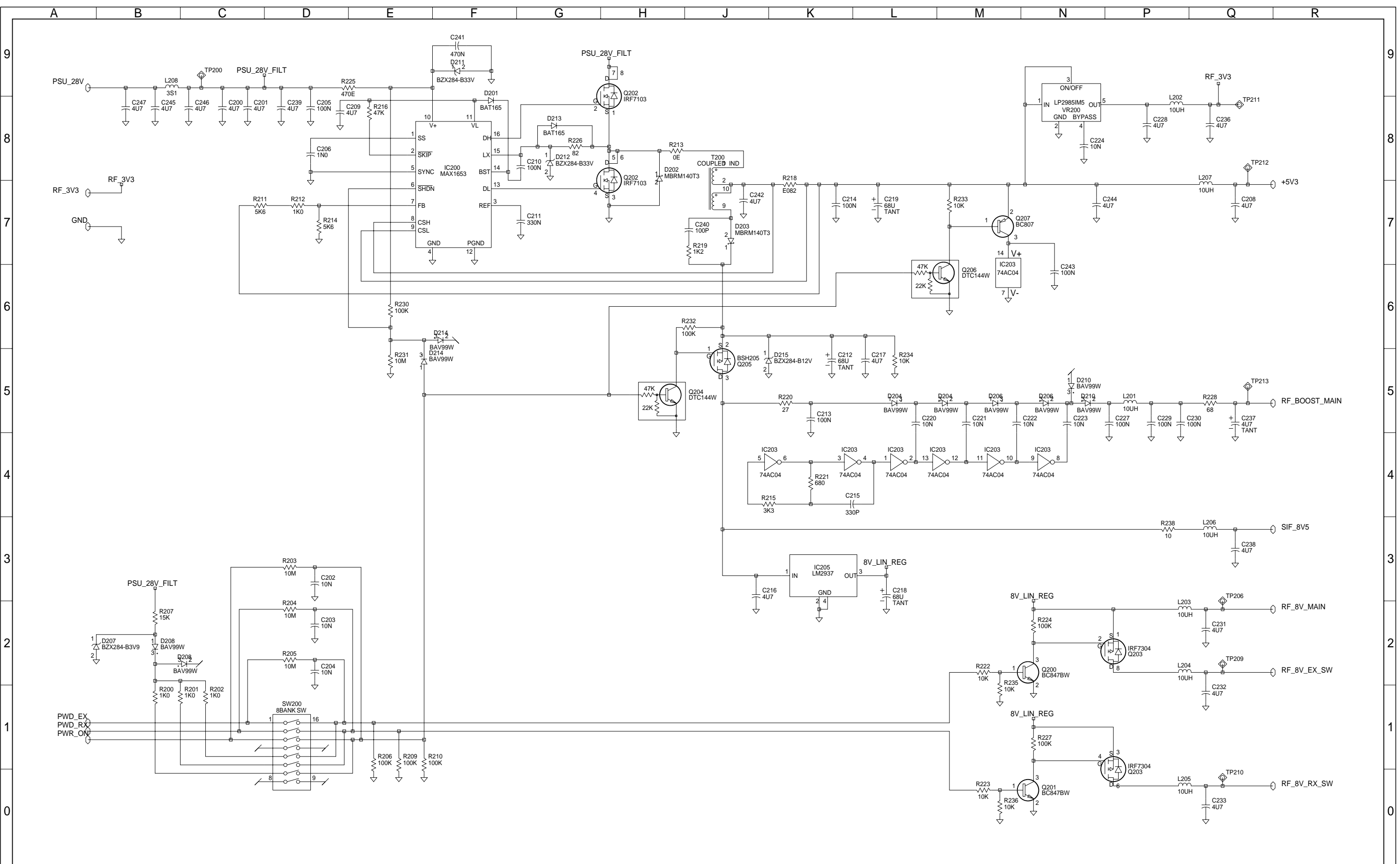


© TAIT ELECTRONICS
TB8000
EXTERNAL REFERENCE
 IPN: 220-02025-06 ISSUE: A ID: 2.SC. 14
 PROJECT: TB8000 DESIGNER: SH FILE NAME: 0202506a FILE DATE: 13-May-03 NO. SHEETS: 15



06A	ECO	101200068	CJK	SH		13/05/03
05A	DCO	02025-005	CJK	SH		06/03/03
04A	DCO	02025-004	CJK	SH		28/11/02
03A	DCO	02025-002 & 003	CJK	SH		17/10/02
02A	DCO	02025-001	CJK	SH		30/08/02
01B	SCHEMATICS	REDRAWN	PAUL G			20/06/02
01A	CLONED FROM	226-00252-01	PAUL G			12/06/02
REV/ISS	AMENDMENTS		DRAWN	CHKD	D.O.	APVD DATE

© TAIT ELECTRONICS
 TB8000
 FREQUENCY CONTROL LOOP
 IPN: 220-02025-06 ISSUE: A 2.SC. 15
 PROJECT: TB8000 DESIGNER: SH FILE NAME: 0202506a FILE DATE: 13-May-03 NO.SHEETS: 15



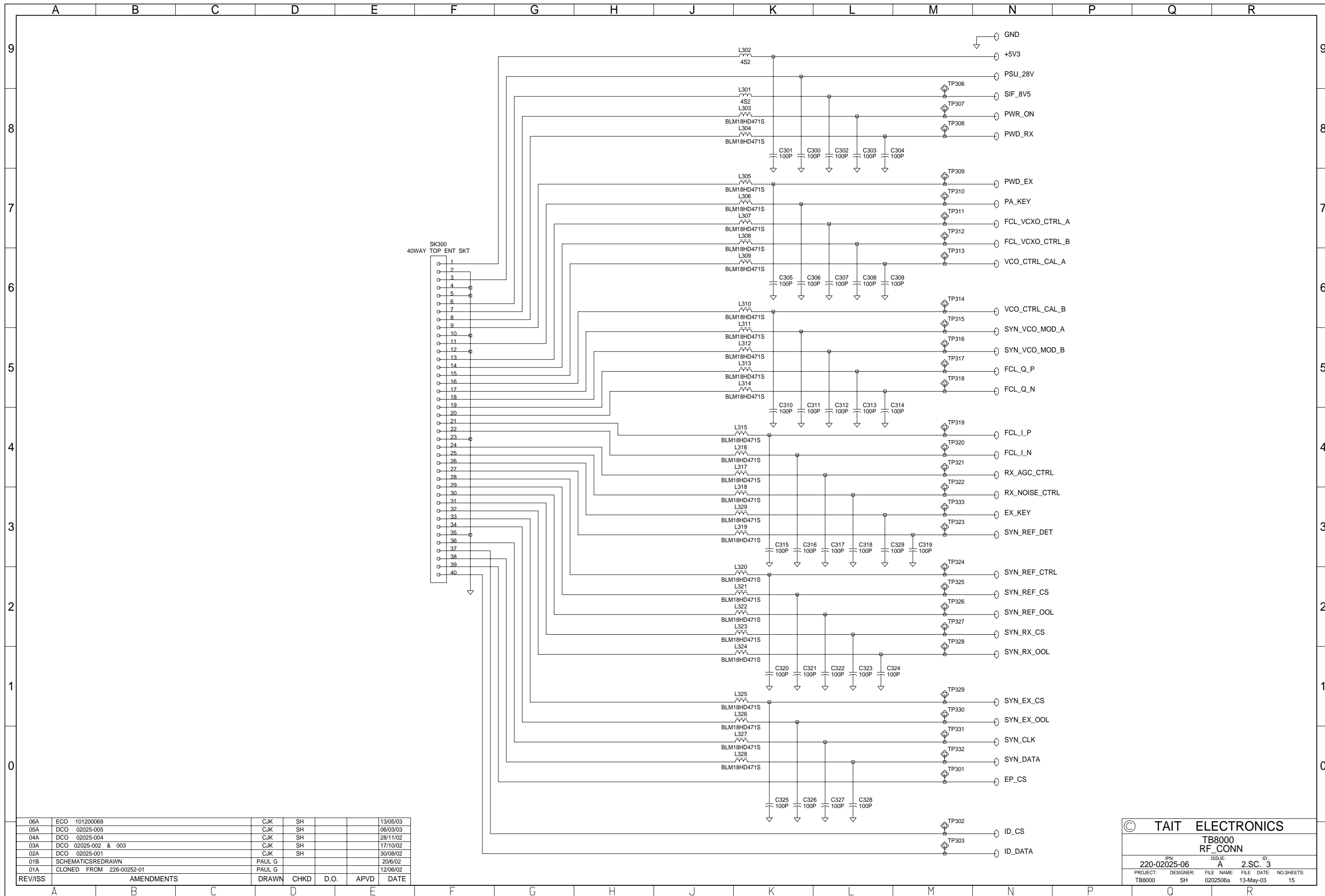
06A	ECO	101200068	CJK	SH		13/05/03
05A	DCO	02025-005	CJK	SH		06/03/03
04A	DCO	02025-004	CJK	SH		28/11/02
03A	DCO	02025-002 & 003	CJK	SH		17/10/02
02A	DCO	02025-001	CJK	SH		30/08/02
01B	SCHEMATICS REDRAWN		PAUL G			20/06/02
01A	CLONED FROM 226-00252-01		PAUL G			12/06/02
REV/ISS	AMENDMENTS		DRAWN	CHKD	D.O.	APVD DATE

© TAIT ELECTRONICS

TB8000
POWERSUPPLY

IPN: 220-02025-06 ISSUE: A ID: 2.SC. 2

PROJECT: TB8000 DESIGNER: SH FILE NAME: 0202506a FILE DATE: 13-May-03 NO.SHEETS: 15

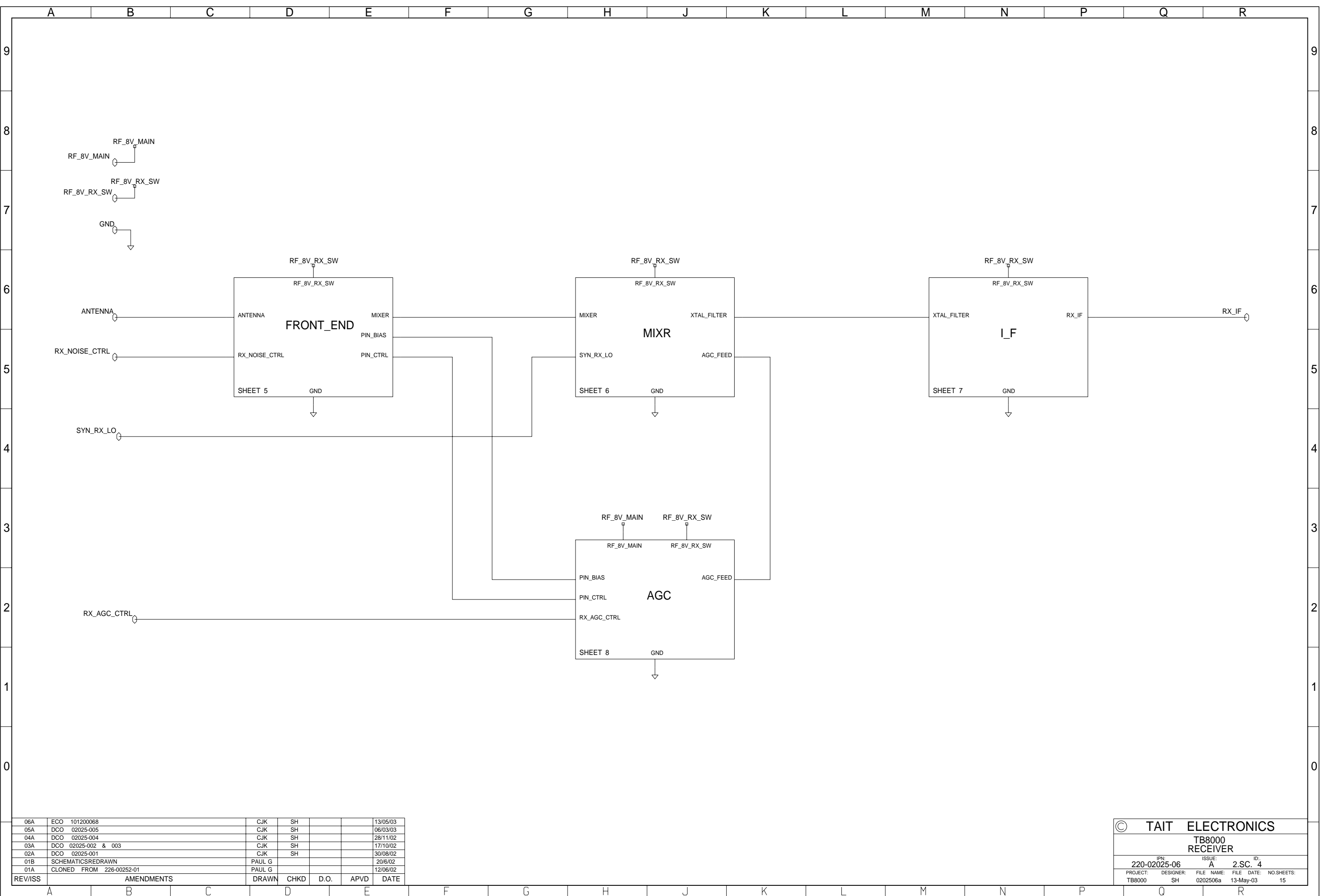


06A	ECO	101200068	CJK	SH			13/05/03
05A	DCO	02025-005	CJK	SH			06/03/03
04A	DCO	02025-004	CJK	SH			28/11/02
03A	DCO	02025-002 & 003	CJK	SH			17/10/02
02A	DCO	02025-001	CJK	SH			30/08/02
01B	SCHEMATICS	REDRAWN	PAUL G				20/06/02
01A	CLONED	FROM 226-00252-01	PAUL G				12/06/02
REV/ISS	AMENDMENTS		DRAWN	CHKD	D.O.	APVD	DATE

© TAIT ELECTRONICS
 TB8000
 RF_CONN

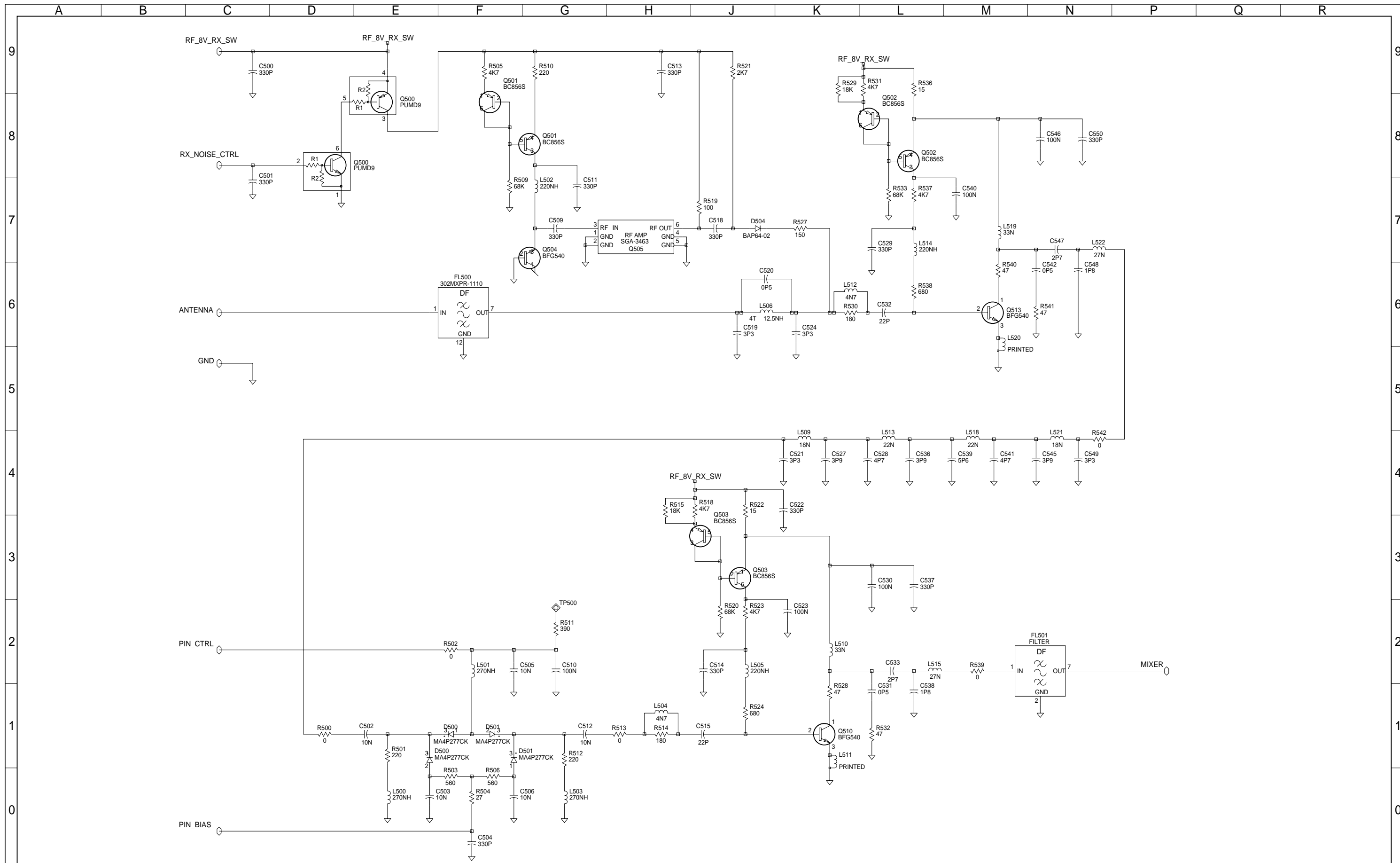
IPN: 220-02025-06 ISSUE: A ID: 2.S.C. 3

PROJECT: TB8000 DESIGNER: SH FILE NAME: 0202506a FILE DATE: 13-May-03 NO. SHEETS: 15

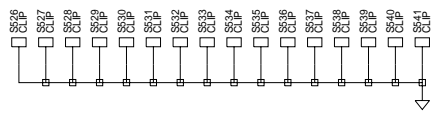
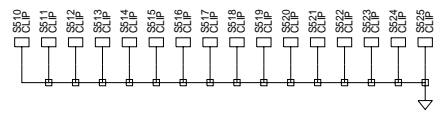
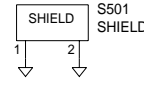
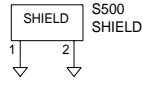


06A	ECO	101200068	CJK	SH			13/05/03
05A	DCO	02025-005	CJK	SH			06/03/03
04A	DCO	02025-004	CJK	SH			28/11/02
03A	DCO	02025-002 & 003	CJK	SH			17/10/02
02A	DCO	02025-001	CJK	SH			30/08/02
01B	SCHEMATICS	REDRAWN	PAUL G				20/6/02
01A	CLONED	FROM 226-00252-01	PAUL G				12/06/02
REV/ISS	AMENDMENTS		DRAWN	CHKD	D.O.	APVD	DATE

© TAIT ELECTRONICS				
TB8000 RECEIVER				
IPN:	ISSUE:	FILE NAME:	FILE DATE:	ID:
220-02025-06	A	2.SC. 4		
PROJECT:	DESIGNER:	FILE NAME:	FILE DATE:	NO. SHEETS:
TB8000	SH	0202506a	13-May-03	15



06A	ECO	101200068	CJK	SH		13/05/03
05A	DCO	02025-005	CJK	SH		06/03/03
04A	DCO	02025-004	CJK	SH		28/11/02
03A	DCO	02025-002 & 003	CJK	SH		17/10/02
02A	DCO	02025-001	CJK	SH		30/08/02
01B	SCHEMATICS REDRAWN		PAUL G			20/06/02
01A	CLONED FROM 226-00252-01		PAUL G			12/06/02
REV/ISS	AMENDMENTS		DRAWN	CHKD	D.O.	APVD DATE

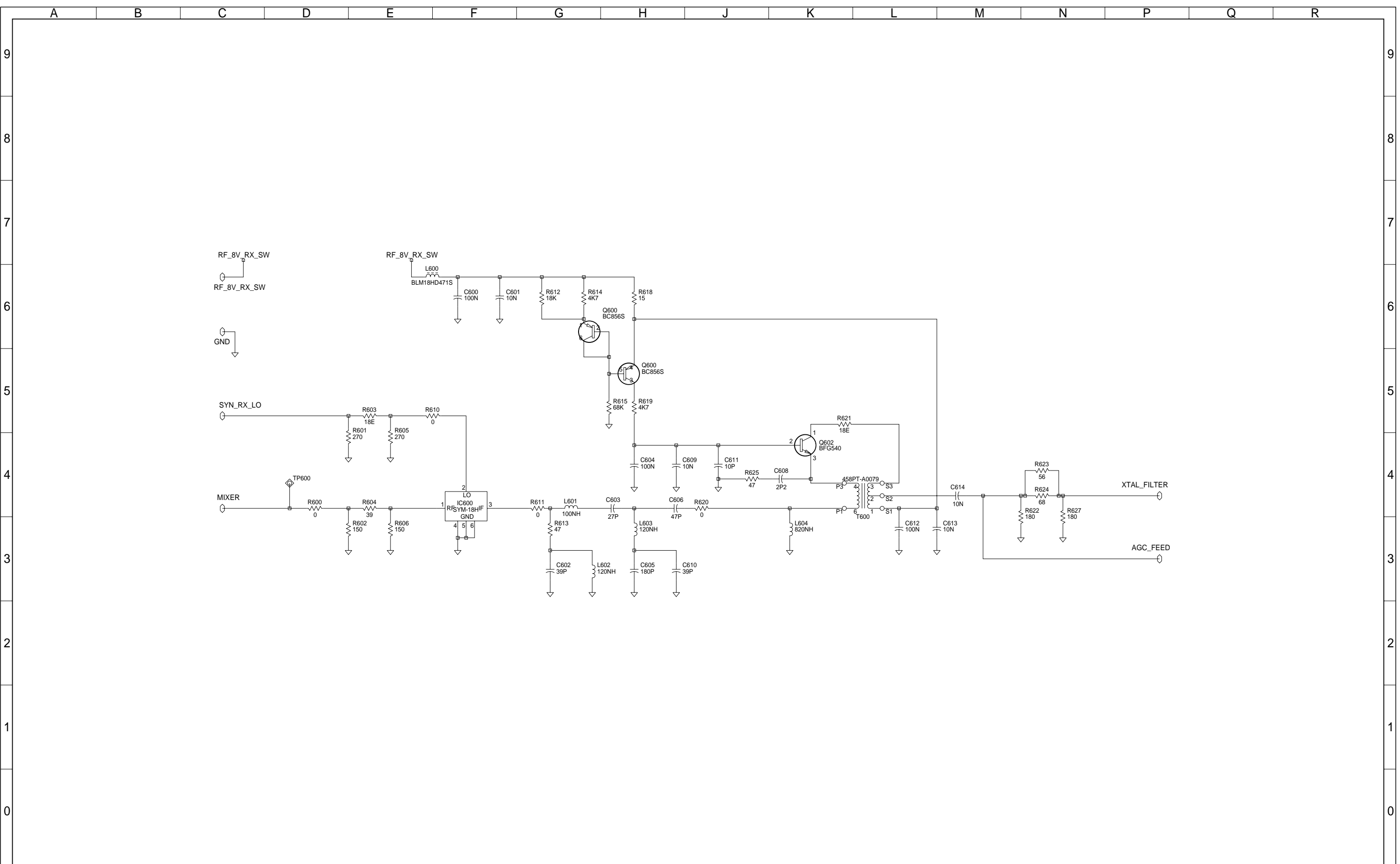


© TAIT ELECTRONICS

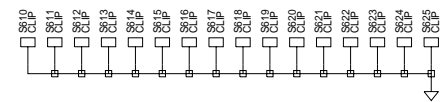
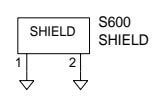
TB8000 FRONT END

IPN: 220-02025-06 ISSUE: A 2.S.C. 5 ID:

PROJECT: TB8000 DESIGNER: SH FILE NAME: 0202506a FILE DATE: 13-May-03 NO.SHEETS: 15



06A	ECO	101200068	CJK	SH		13/05/03
05A	DCO	02025-005	CJK	SH		06/03/03
04A	DCO	02025-004	CJK	SH		28/11/02
03A	DCO	02025-002 & 003	CJK	SH		17/10/02
02A	DCO	02025-001	CJK	SH		30/08/02
01B	SCHEMATICS	REDRAWN	PAUL G			20/06/02
01A	CLONED FROM	226-00252-01	PAUL G			12/06/02
REV/ISS	AMENDMENTS		DRAWN	CHKD	D.O.	APVD DATE

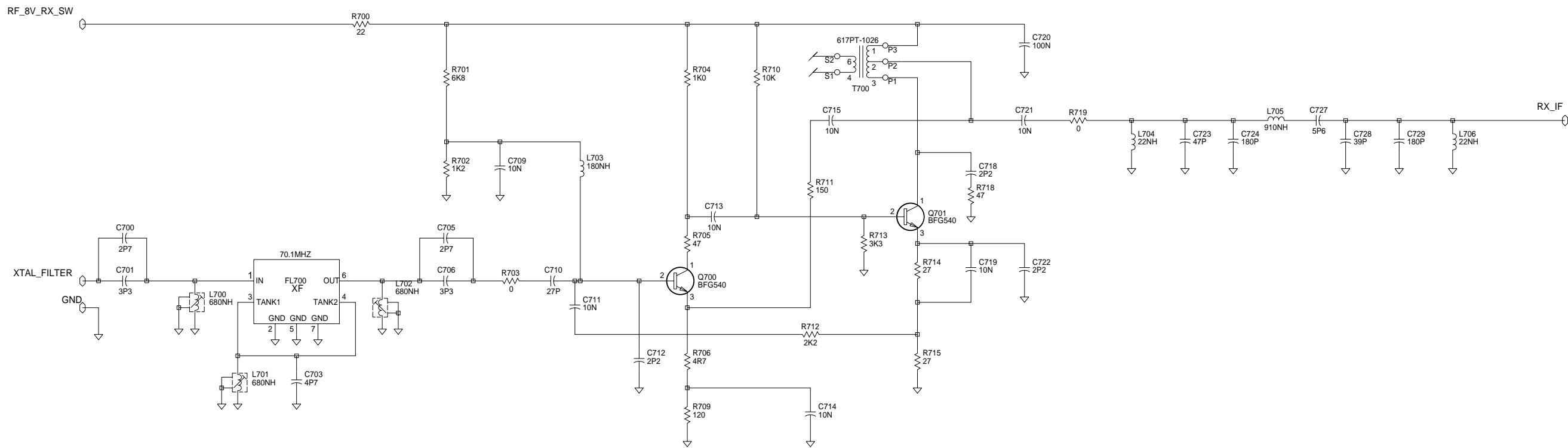


© TAIT ELECTRONICS

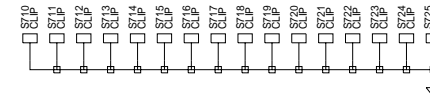
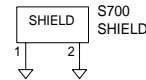
TB8000 MIXER

IPN: 220-02025-06 ISSUE: A ID: 2.SC. 6

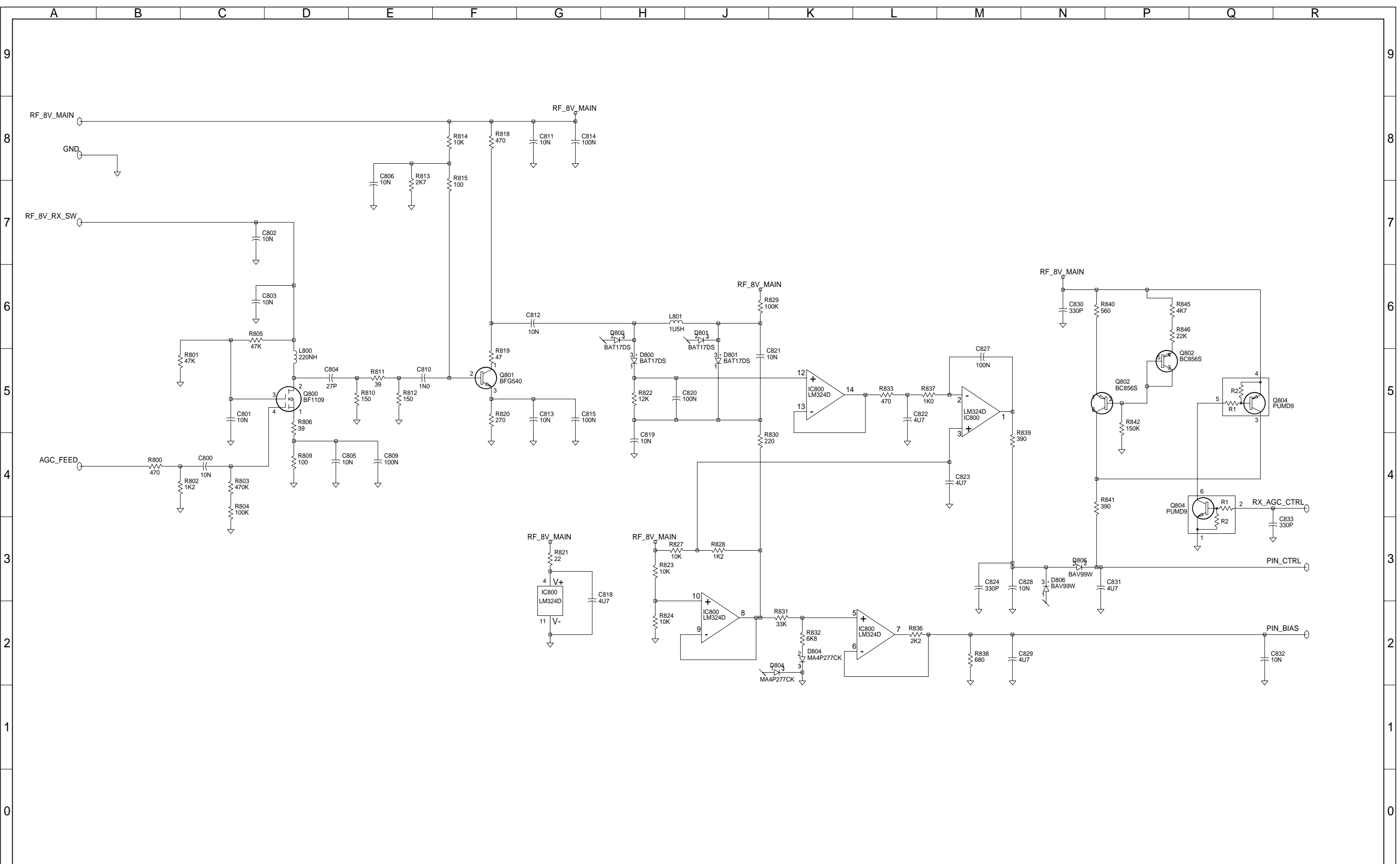
PROJECT: TB8000 DESIGNER: SH FILE NAME: 0202506a FILE DATE: 13-May-03 NO. SHEETS: 15



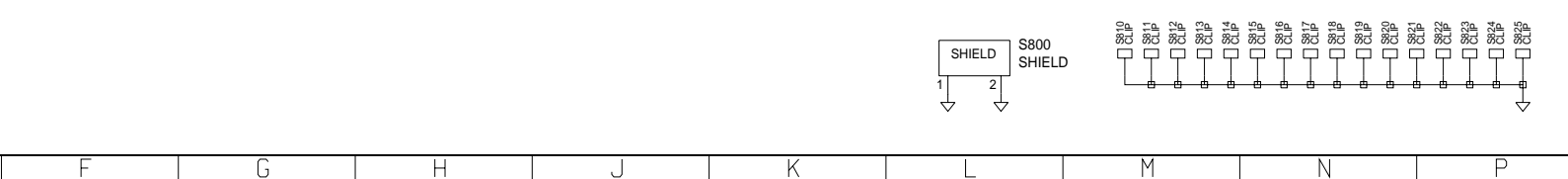
06A	ECO	101200068	CJK	SH			13/05/03
05A	DCO	02025-005	CJK	SH			06/03/03
04A	DCO	02025-004	CJK	SH			28/11/02
03A	DCO	02025-002 & 003	CJK	SH			17/10/02
02A	DCO	02025-001	CJK	SH			30/08/02
01B	SCHEMATICS	REDRAWN	PAUL G				20/6/02
01A	CLONED FROM	226-00252-01	PAUL G				12/06/02
REV/ISS	AMENDMENTS		DRAWN	CHKD	D.O.	APVD	DATE



© TAIT ELECTRONICS				
TB8000 IF				
IPN:	ISSUE:	FILE NAME:	FILE DATE:	ID:
220-02025-06	A	2.SC. 7		
PROJECT:	DESIGNER:	FILE NAME:	FILE DATE:	NO. SHEETS:
TB8000	SH	0202506a	13-May-03	15



06A	ECO	101200068	CJK	SH			13/05/03
05A	DCO	02025-005	CJK	SH			06/03/03
04A	DCO	02025-004	CJK	SH			28/11/02
03A	DCO	02025-002 & 003	CJK	SH			17/10/02
02A	DCO	02025-001	CJK	SH			30/08/02
01B	SCHEMATICS	REDRAWN	PAUL G				20/6/02
01A	CLONED FROM	226-00252-01	PAUL G				12/06/02
REV/ISS	AMENDMENTS		DRAWN	CHKD	D.O.	APVD	DATE

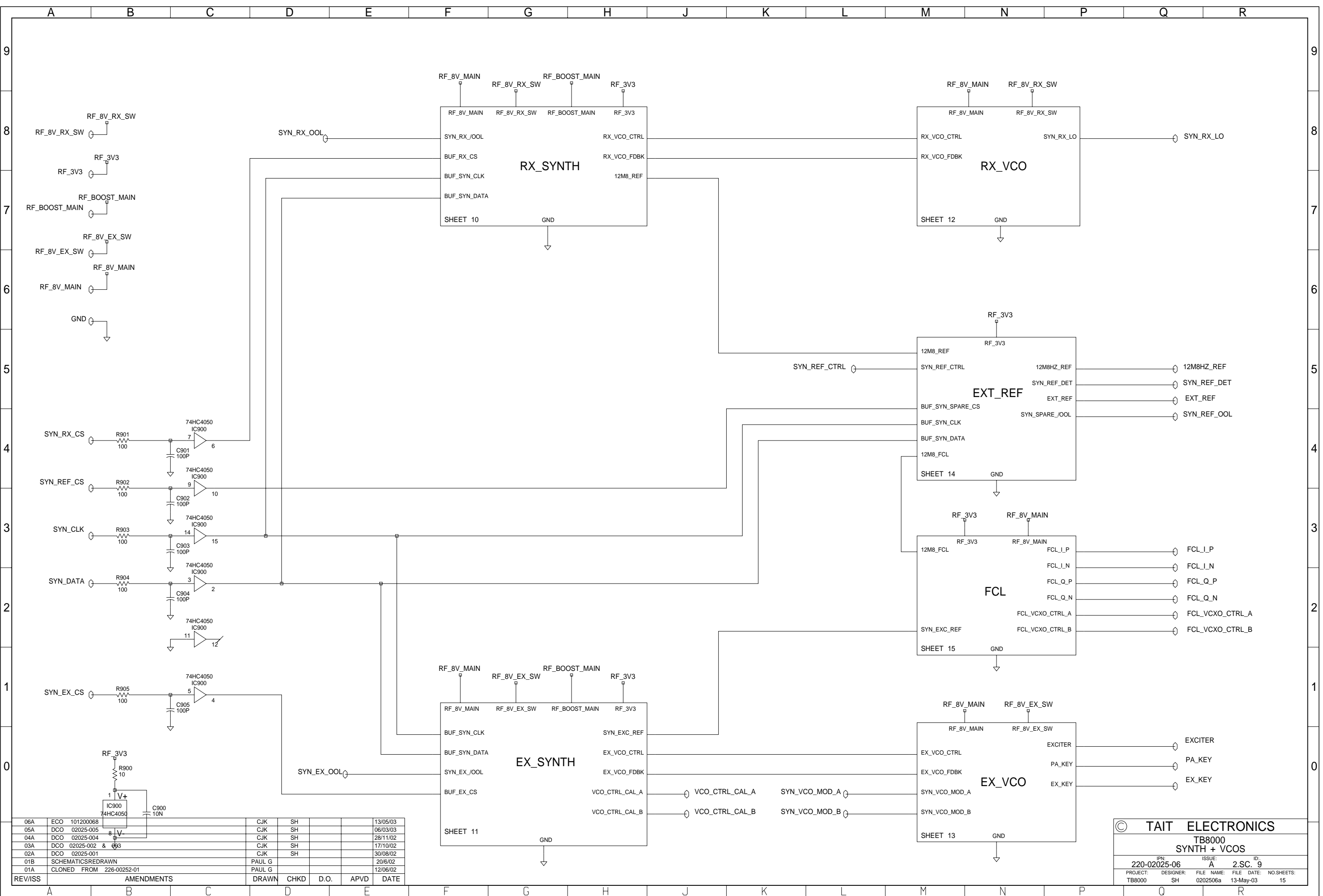


© TAIT ELECTRONICS

TB8000
AGC

IPN: 220-02025-06 ISSUE: A ID: 2.S.C. 8

PROJECT: TB8000 DESIGNER: SH FILE NAME: 0202506a FILE DATE: 13-May-03 NO. SHEETS: 15



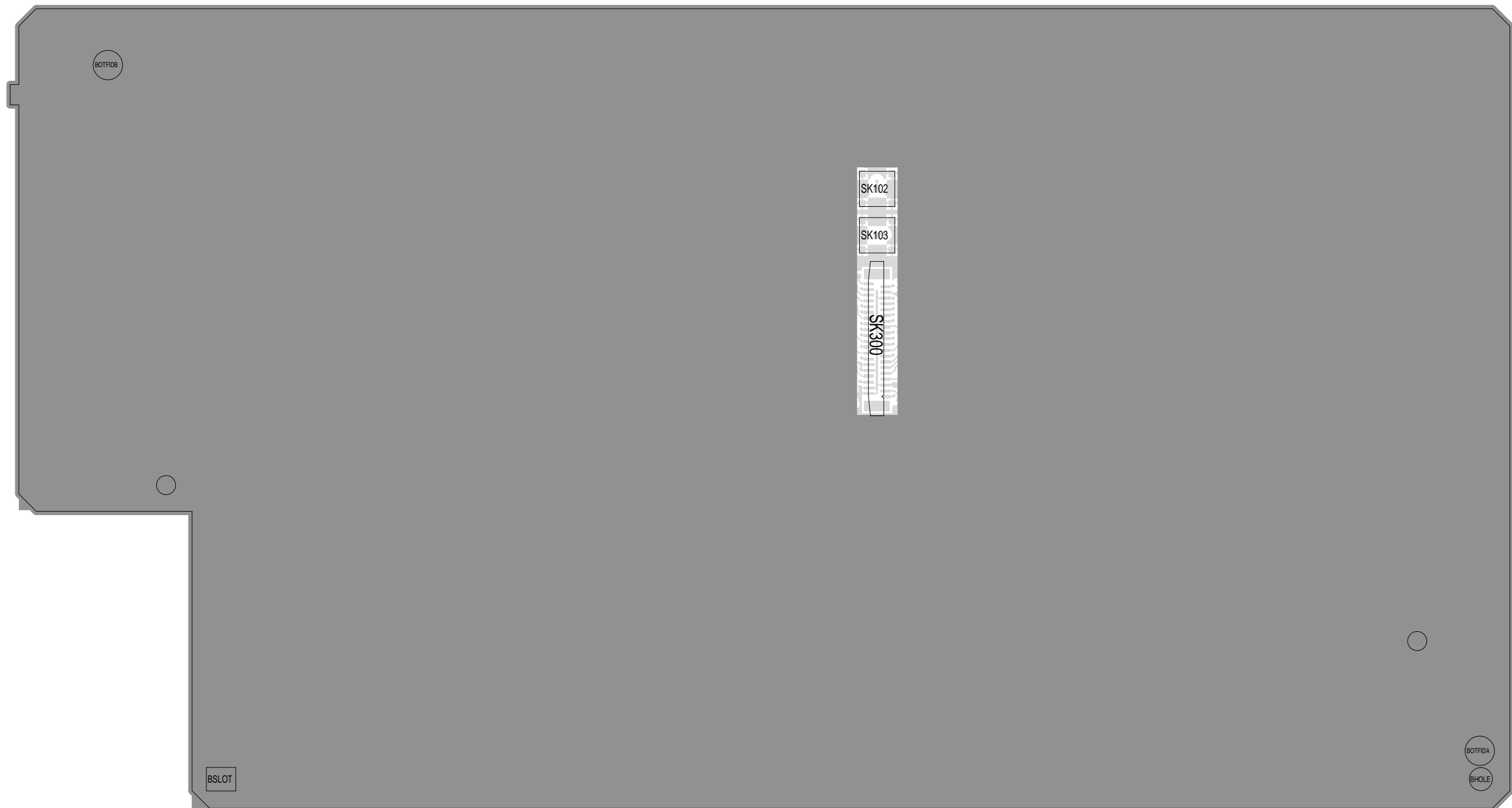
06A	ECO	101200068	CJK	SH		13/05/03
05A	DCO	02025-005	CJK	SH		06/03/03
04A	DCO	02025-004	CJK	SH		28/11/02
03A	DCO	02025-002 & 003	CJK	SH		17/10/02
02A	DCO	02025-001	CJK	SH		30/08/02
01B	SCHEMATICS	REDRAWN	PAUL G			20/6/02
01A	CLONED	FROM 226-00252-01	PAUL G			12/06/02
REV/ISS	AMENDMENTS		DRAWN	CHKD	D.O.	APVD DATE

© TAIT ELECTRONICS			
TB8000			
SYNTH + VCOS			
IPN:	ISSUE:	FILE NAME:	ID:
220-02025-06	A	2.SC. 9	
PROJECT:	DESIGNER:	FILE DATE:	NO. SHEETS:
TB8000	SH	0202506a 13-May-03	15



TAIT ELECTRONICS IPN: 220-02025-06 ISS: A ID: 1.TA DATE: 14 May 2003
 RECITER4_RF PCB LAYOUT - TOP SIDE

Scale: 1.3:1 ; Rotation: 0 degrees



TAIT ELECTRONICS	IPN: 220-02025-06	ISS: A	ID: 4.BA	DATE: 14 May 2003
RECITER4_RF PCB LAYOUT - BOTTOM SIDE				

Scale: 1.3:1 ; Rotation: 0 degrees